

Sacred Sites Grants



THE NEW YORK
LANDMARKS
CONSERVANCY



St. Martin's Episcopal Church, 1887-1888, Harlem

William A. Potter, architect

Parish Hall Roof Replacement



St. Martin's Episcopal Church, 1887-1888, Harlem

William A. Potter, architect

Parish Hall Roof Replacement



Church of the Heavenly Rest, 1927-1929, Upper East Side

Mayers, Murray & Phillip, successor firm to Bertram Grosvenor Goodhue, architects

Exterior Restoration



Church of the Heavenly Rest, 1927-1929, Upper East Side

Mayers, Murray & Phillip, successor firm to Bertram Grosvenor Goodhue, architects

Exterior Envelope Restoration



Congregation Ohab Zedek, 1926, Upper West Side

Charles B. Meyers, architect

Façade Repairs



Trinity Lutheran Church of Manhattan, 1909, Upper West Side

George W. Conable, architect

Tower & Façade Restoration



Trinity Lutheran Church of Manhattan, 1909, Upper West Side

George W. Conable, architect

Tower & Façade Restoration



Church of The Resurrection, 1874, 1905, Kew Gardens, Queens

Henry Dudley (1813-1894), Nathaniel W. Vickers (1846-1947), architects

Copper Tower Roof Restoration



Church of The Resurrection, 1874, 1905, Kew Gardens, Queens
Henry Dudley (1813-1894), Nathaniel W. Vickers (1846-1947), architects
Copper Tower Roof Restoration



Rossville A.M.E. Zion Church, 1897, Sandy Ground, Staten Island

Andrew Abrams, builder-developer

Replacement of Front Entrance Doors & Roof



Rossville A.M.E. Zion Church, 1897, Sandy Ground, Staten Island

Andrew Abrams, builder-developer

Vandalism, spring 2021



Rossville A.M.E. Zion Church, 1897, Sandy Ground, Staten Island

Andrew Abrams, builder-developer

Door and Roof Replacement



St. George's Episcopal Church, 1817, Newburgh

Rev. John Brown, architect

Tower & Roof Restoration



Welcome Chapel Missionary Baptist Church, 1870, 1909, Albany

1870, unknown builder; 1909, Alexander Selkirk, architect

Structural Repairs to Tower



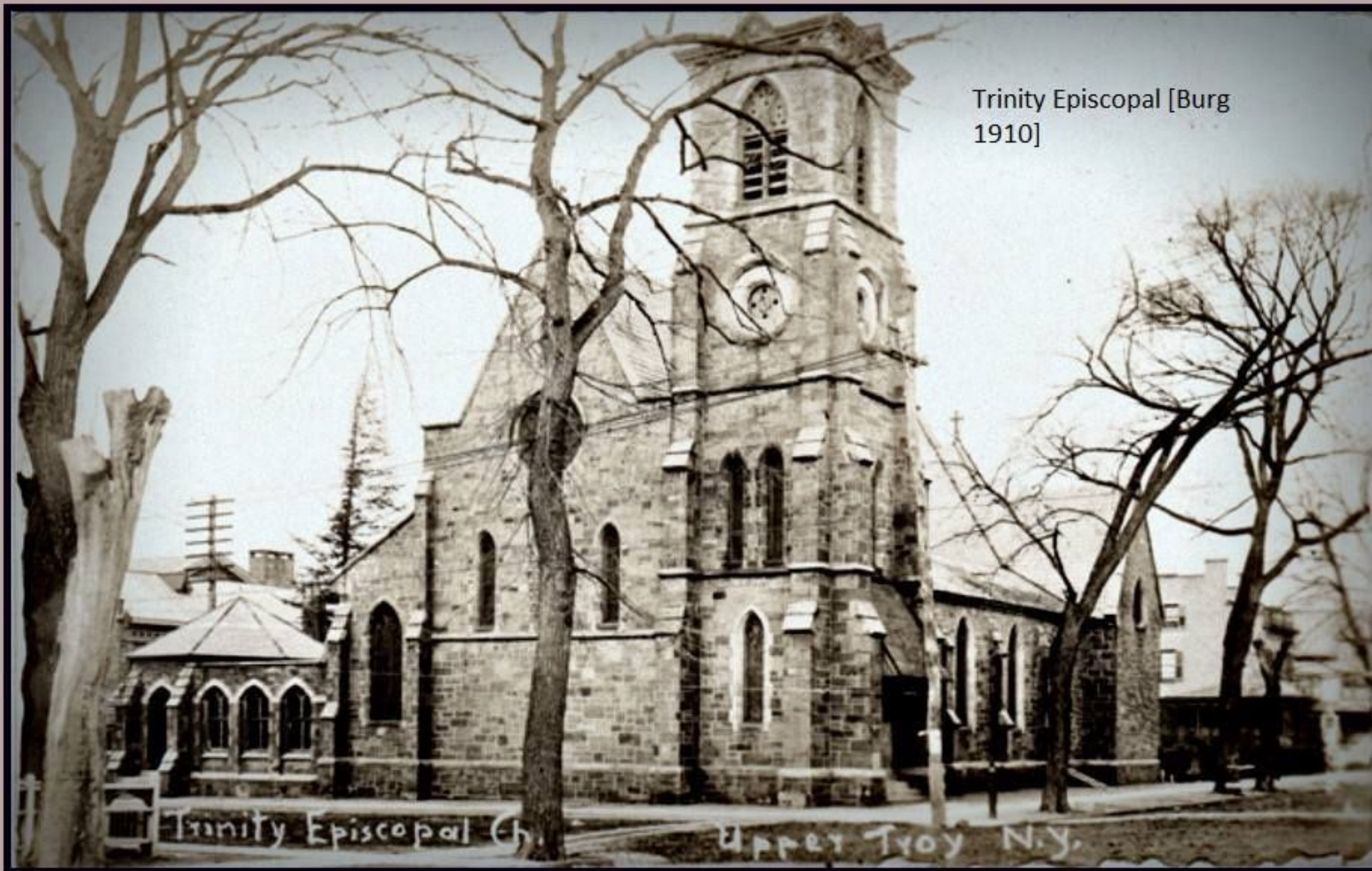
St. Paul's Church in Troy, 1828, Troy
Ithiel Town, architect
Structural Monitoring of Tower Cracks



St. Paul's Church in Troy, 1828, Troy

Ithiel Town, architect

Structural Monitoring of Tower Cracks



Trinity Episcopal Church, Lansingburgh, 1869-1872, Troy

Henry Dudley, architect

Roof Replacement, Stone Repointing & Stabilization, & Chimney Repairs



St. Paul's Church, Salem

1860, unknown builders; 1890 expansion, Henry M. Congdon, architect

Structural Reinforcement of Nave Walls, New Site Drainage & Masonry Repointing



St. Paul's Episcopal Church, 1951, Sidney

Unknown Architect

Sanctuary Roof Replacement



St. Stephen's Episcopal Church, 1825, New Hartford

N. Caulkins, architect

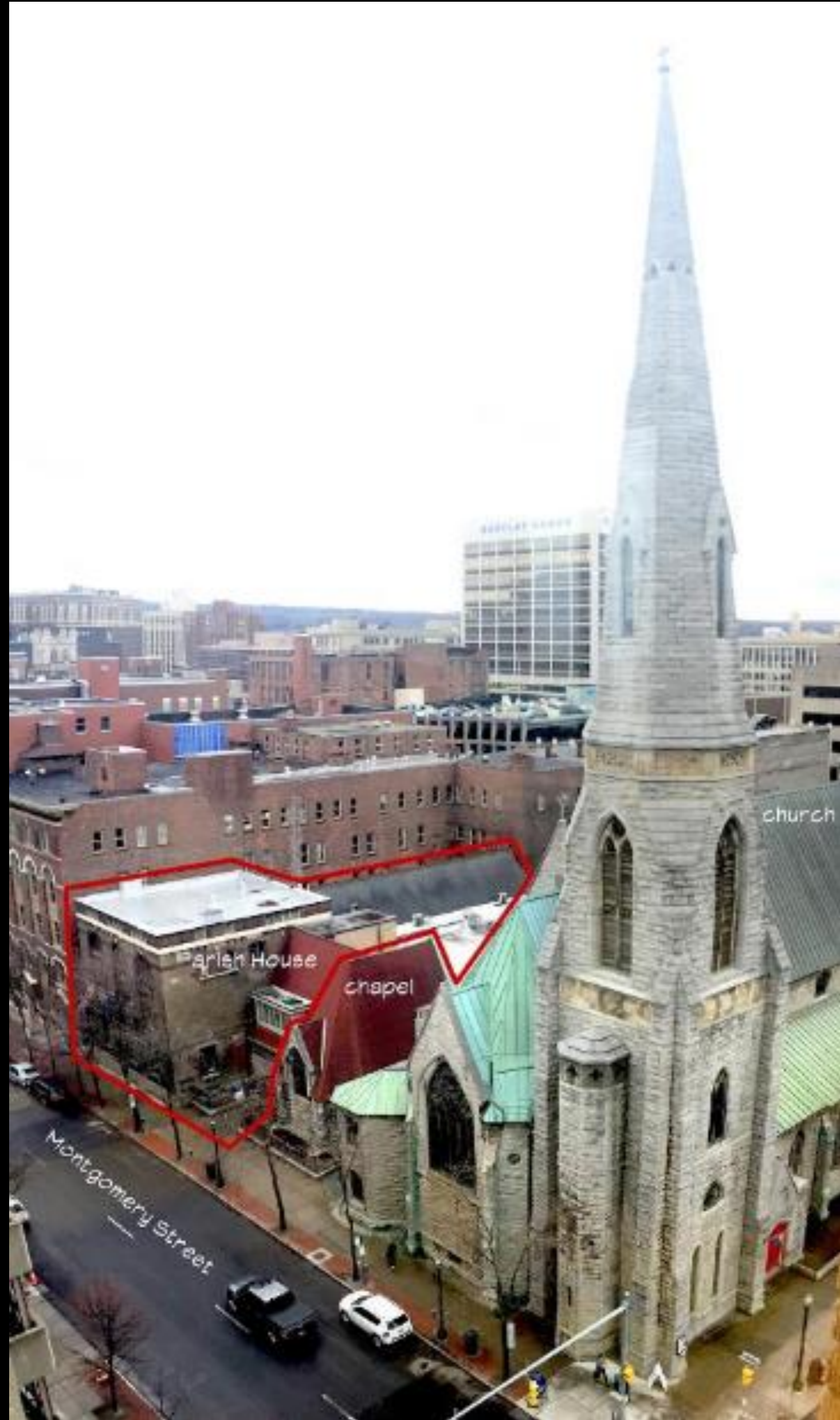
Sanctuary Roof Replacement



Christ Church, 1853-1855, 1910, Binghamton

Richard Upjohn, architect

East Gable Coping and Flashing Repairs



St. Paul's, 1884-1885, 1907, Syracuse

Henry Dudley, architect (1884-1885)

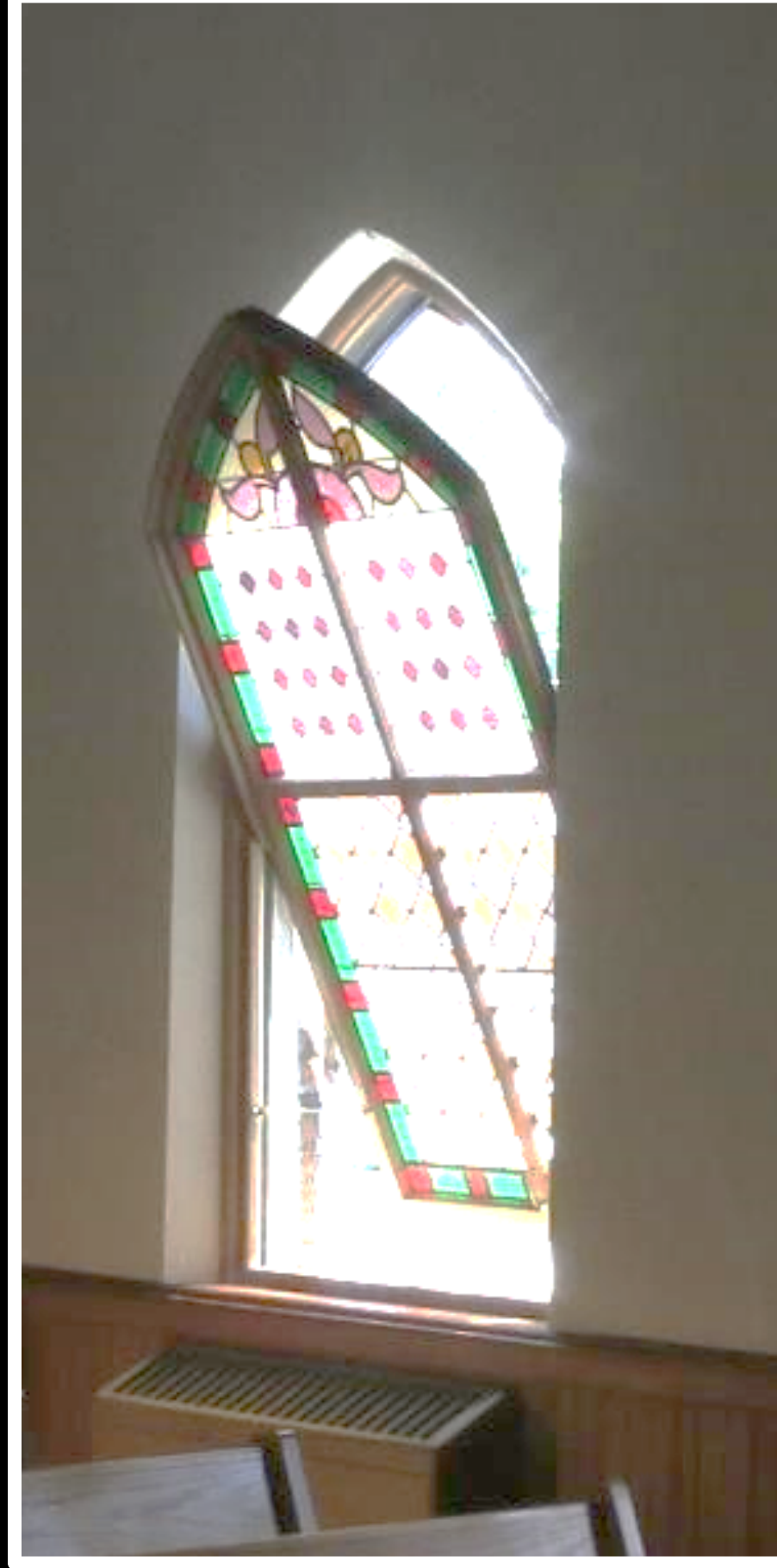
Masonry Restoration at Parish House



St. Paul's, 1884-1885, 1907, Syracuse

Henry Dudley, architect (1884-1885)

Masonry Restoration at Parish House



Mission Hope Community, 1879-80, Camillus
Archimedes Russell, architect
Stained Glass Restoration



Mission Hope Community, 1879-80, Camillus

August 19, 2021 Flooding

(Tropical Storm Fred, Central New York)



Westminster Presbyterian Church, 1869-70, 1885; 1930-31, Auburn

Hilliger & Beardsley, architect (1930-1931)

Conditions Survey



South Bushwick Reformed Church, 1852-1853, 1885, Bushwick, Brooklyn

Messrs. Morgan, builders

Structural Stabilization & Restoration of Spire, Roof & Soffits



South Bushwick Reformed Church, 1852-1853, 1885, Bushwick, Brooklyn

Messrs. Morgan, builders

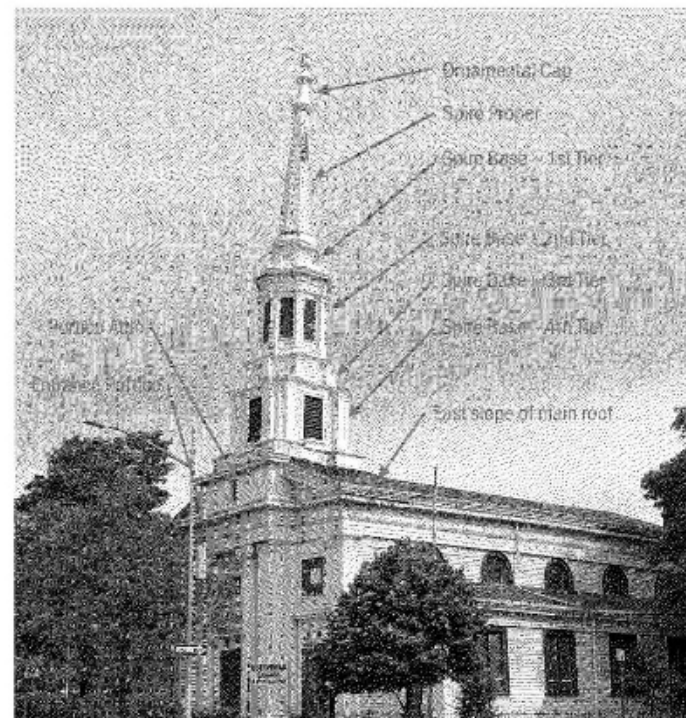
Structural Stabilization & Restoration of Spire, Roof & Soffits



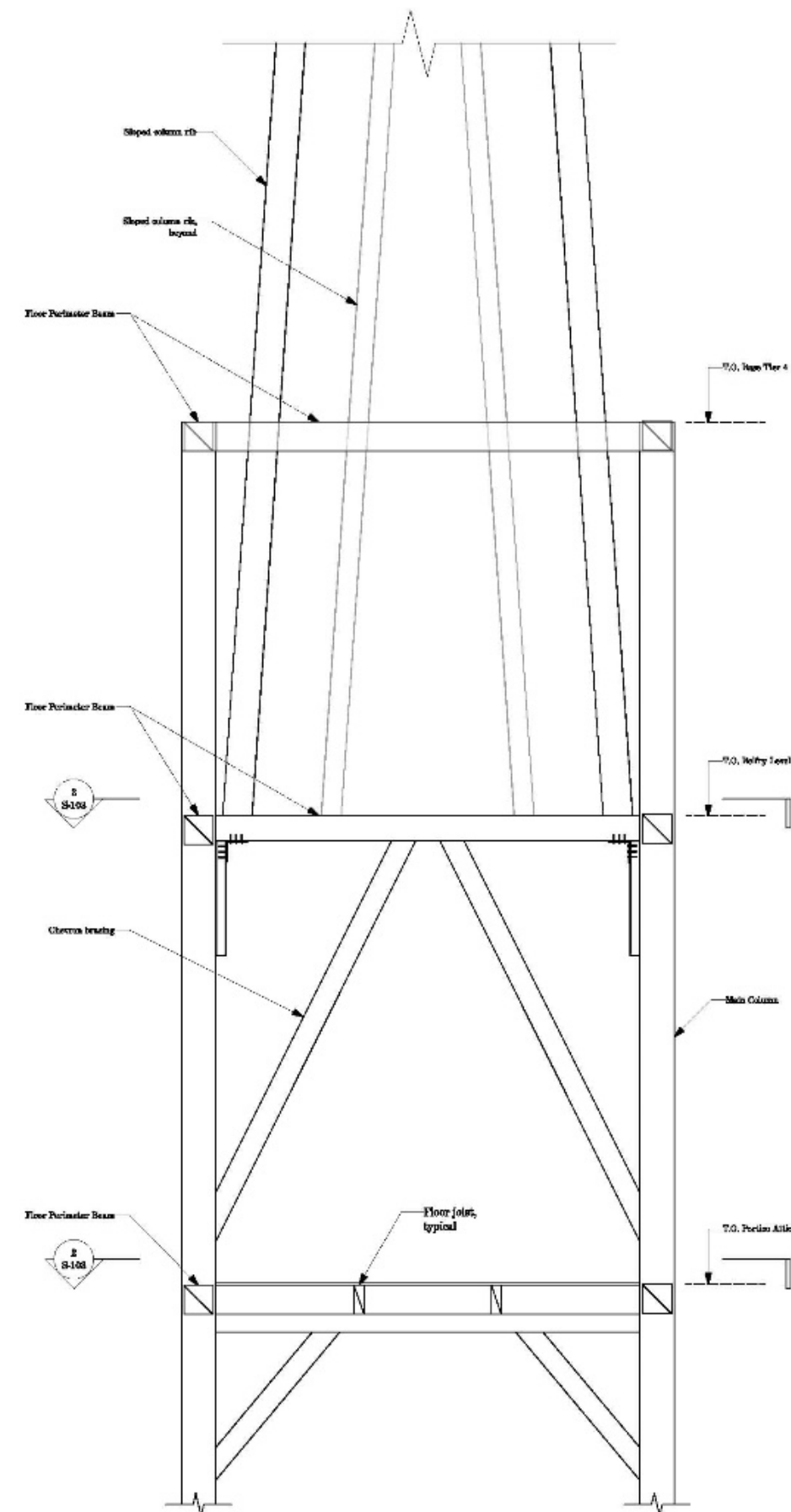
South Bushwick Reformed Church, 1852-1853, 1885, Bushwick, Brooklyn

Messrs. Morgan, builders

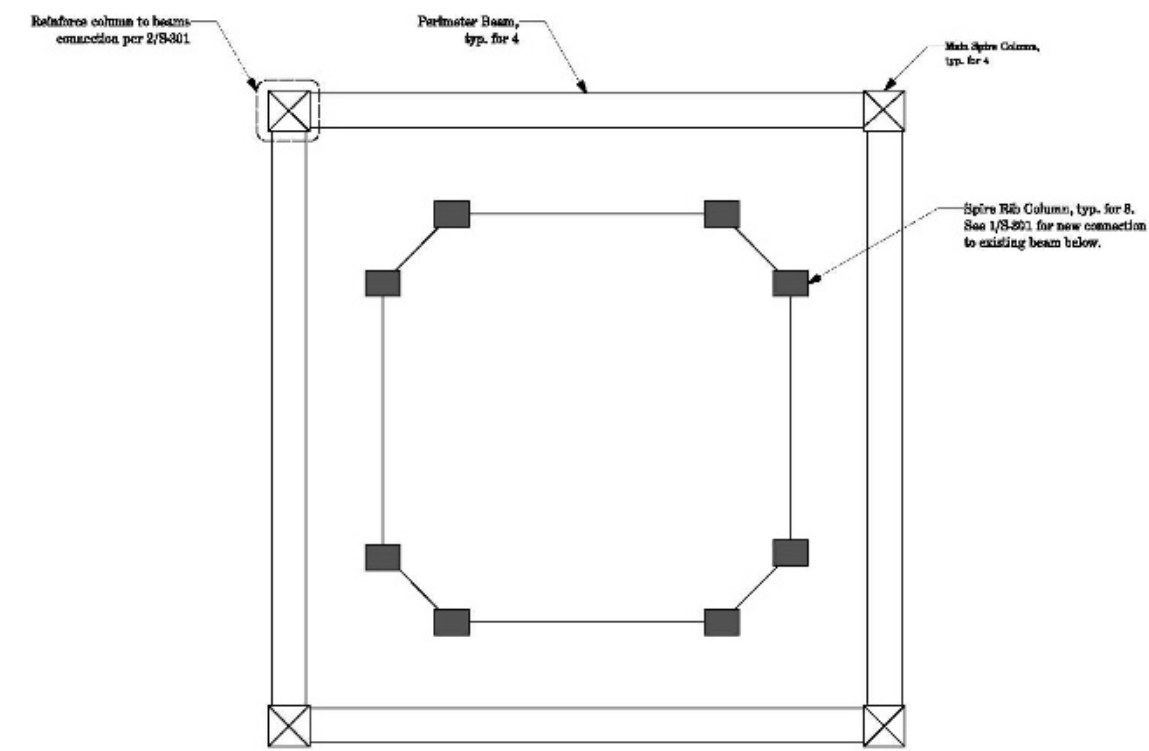
Structural Stabilization & Restoration of Spire, Roof & Soffits



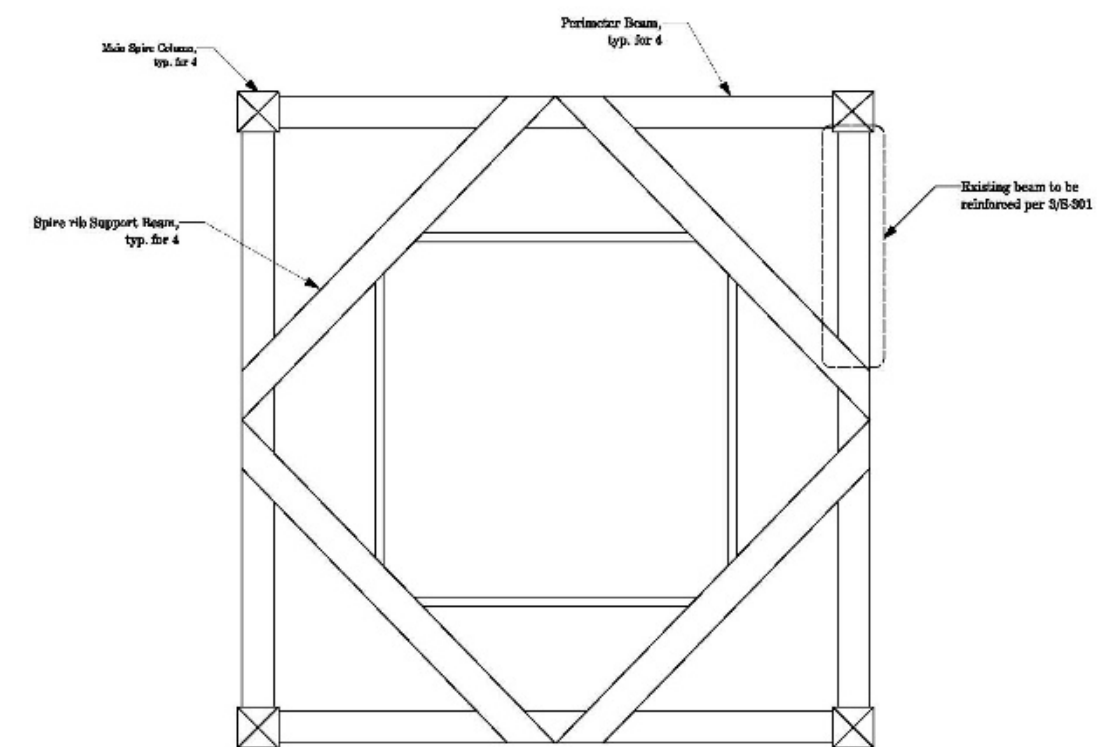
K Key Elevation



2 Portico Attic Plan
Scale: 1/2" = 1'-0"



3 Belfry Level Plan
Scale: 1/2" = 1'-0"



2 Belfry Level Plan
Scale: 1/2" = 1'-0"



STRUCTURAL ENGINEER
Old Structures Engineering, PC
90 Broad Street
15th Floor
New York, NY 10004
tel: 212-244-4546
info@oldstructures.com

OWNER
South Bushwick Reformed Protestant
Dutch Complex
855 Bushwick Ave.
Brooklyn, New York 11221

tel: 347-350-6110

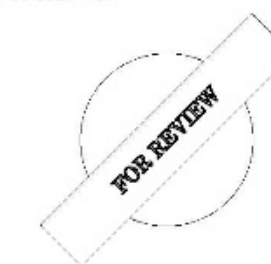
No.	Date	Description
XX	XX/XX/XX	XXXXX

Professional's Seal

Detail Filename: T2

1/23/2020

DOB Stamp & Signature



Reformed Church of
South Bushwick Repairs

Spire Elevation and Plan

Scale: 1/2" = 1'-0"

Issue Date: March 24, 2020

Drawn by: SG/SL

Project #: J4296.02

DOB/NOV #: XXXXXXXXXXXX

Drawing No.

S-103.00

Sheet 4 of 6

South Bushwick Reformed Church, 1852-1853, 1885, Bushwick, Brooklyn

Messrs. Morgan, builders

Structural Stabilization & Restoration of Spire, Roof & Soffits



South Bushwick Reformed Church, 1852-1853, 1885, Bushwick, Brooklyn

Messrs. Morgan, builders

Structural Stabilization & Restoration of Spire, Roof & Soffits



South Bushwick Reformed Church, 1852-1853, 1885, Bushwick, Brooklyn

Messrs. Morgan, builders

Structural Stabilization & Restoration of Spire, Roof & Soffits

THE NEW YORK
LANDMARKS
CONSERVANCY

212.995.5260 | nylandmarks.org

Additional funding for steeple restoration at **South Bushwick Reformed Church** has been provided by the following:

- *Robert David Lion Gardiner Foundation*
- *New York City Landmarks Preservation Commission, Historic Preservation Grant Program*
- *National Fund for Sacred Places, Intervention Fund*
- *Oldham Little Church Foundation*



SCAN ME

The congregation continues to fundraise to complete repairs to roof, gutters, and trim at church and parish hall.

To help, please contribute to: <https://www.gofundme.com/f/sbrc-ministry-building-restoration> - or scan the QR code